

Dock Ladder

Assembly Installation Instructions

3 Step 49"

Galvanized #28273

Painted #27273

Aluminum #29273

4 Step 60"

Galvanized #28274

Painted #27274

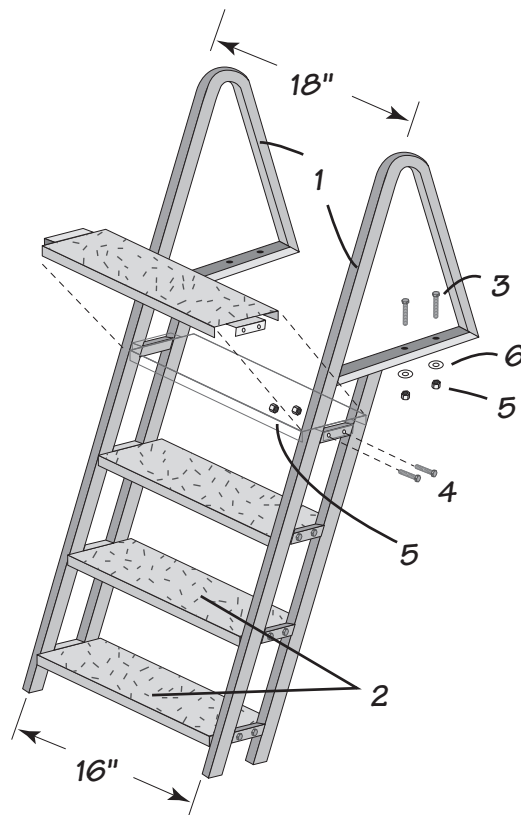
Aluminum #29274

5 Step 71"

Galvanized #28275

Painted #27275

Aluminum #29275



This kit contains the following components:

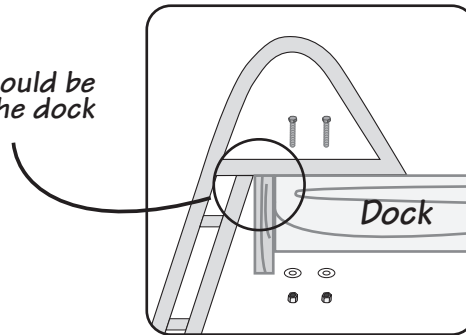
	3 Step	4 Step	5 Step		
#	Qty.	Qty.	Qty.	Part #	Description
1	2	---	---	25502A	Frame Rail 3 Step Ladder (Galv.)
1	---	2	---	25504A	Frame Rail 4 Step Ladder (Galv.)
1	---	---	2	25503A	Frame Rail 5 Step Ladder (Galv.)
1	2	---	---	25502	Frame Rail 3 Step Ladder (Painted)
1	---	2	---	25504	Frame Rail 4 Step Ladder (Painted)
1	---	---	2	25503	Frame Rail 5 Step Ladder (Painted)
1	2	---	---	25513A	Frame Rail 3 Step Ladder (Aluminum)
1	---	2	---	25514A	Frame Rail 4 Step Ladder (Aluminum)
1	---	---	2	25515A	Frame Rail 5 Step Ladder (Aluminum)
2	3	4	5	25508	Dock Ladder Step (Galv.)
2	3	4	5	25505	Dock Ladder Step (Painted)
2	3	4	5	25510	Dock Ladder Step (Aluminum)
3	4	4	4	10944	1/4" x 4" Stove Bolt
4	12	16	20	10927	1/4" x 3/4" SS Screws
5	16	20	24	10618	Hex Nut
6	4	4	4	10508	Flat Washers

Instructions #15361 (A604 - Rev. 1/12/19)

Dock Ladder

Assembly Installation Instructions

Ladder should be flush to the dock



Tools Required:

Flat head screwdriver, Phillips head screwdriver, 7/16" wrench, hand or power drill, and a 1/4" drill bit.

IMPORTANT:

Ladder will fall into water if not bolted to the dock. Be careful when using ladder to mark holes. Set ladder completely on top of the dock after using to mark the holes to be drilled.

Assembly Instructions

1. Using the drawing as a guide, place the ladder side rails parallel to each other with a step between them. Attach steps, tread plate side up, using 4-1/4" x 3/4" stove bolts per step. Step end should overlap mounting bracket on side rails.

DO NOT TIGHTEN STEP BOLTS UNTIL ALL STEPS ARE ATTACHED

2. Before attaching the ladder to the dock, check for obstructions under the dock where the bolt holes will be drilled. Should you leave a floating dock, make sure the ladder will not be damaged in fluctuating water levels. To mark the holes use the ladder as a template. The ladder should be flush against the top side of the dock. Drill four holes using your 1/4" drill bit. Attach ladder to dock with four 1/4" x 4" stove bolts.

• **Part #27271 - Dock Ladder Speed Release (sold separately) allows the dock ladder (above) to be easily removed.**