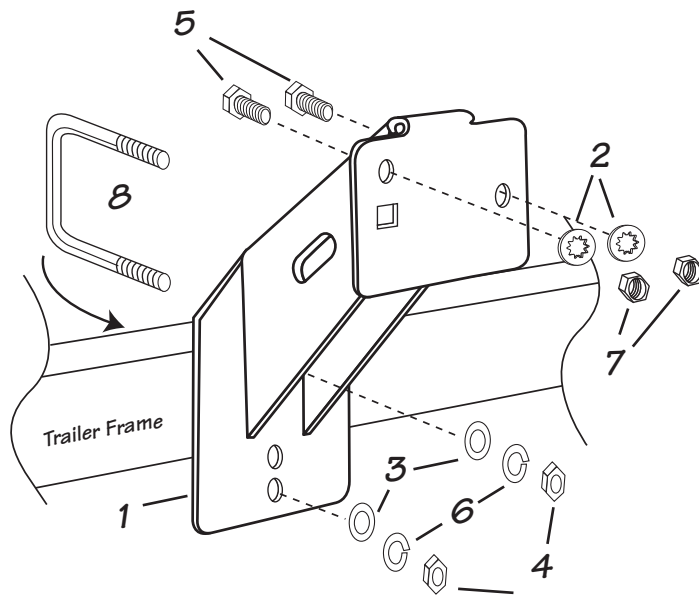


Side Mount Spare Tire Carrier

Installation Instructions

Part Numbers
86098 - Galvanized
86099 - Bright Zinc
86100 - Black Powder Coat

This kit contains the following components:



#	Qty.	Part #	Description
1	1	48055Z	Zinc Spare Tire Carrier
1	1	48055G	Galvanized Spare Tire Carrier
1	1	48055P	Black Powder Coat Spare Tire Carrier
2	2	10640	Bolt Retainers - 1/2"
3	2	10573	Flat Washers - 1/2"
4	2	10646Y	Hex Nuts - 1/2"-13
5	2	10863	Carriage Bolt - 1/2"-20 x 1-3/4"
6	2	10642	Lock Washers - 1/2"
7	2	10641	Lug Nut - 1/2"-20
8	1	84470-1Z	U-bolt - 3" (for 3" high frames)
8	1	84472-1Z	U-bolt - 4" (for 4" high frames)

TOOLS REQUIRED:

3/4" WRENCH or 3/4" DEEP SOCKET

- Using the spare tire carrier and spare tire as a guide, determine a suitable mounting location on trailer frame.
- Slide U-bolt around the frame and through the holes in tire carrier.
- Mount with flat washers, lock washers and nuts provided.
- Using the spare tire to determine the correct holes to use, place the carriage bolts provided for mounting the spare tire in the holes of the rectangular plate. Bolt heads should be on the back side of the tire carrier. Secure bolts with "star" washers.
- The mounting plate will accommodate several sizes of frames by using the various hole patterns.
- Check position of the tire mount for proper clearance with the spare tire before tightening bolts.
- Mount spare tire with 1/2" bolt, washers and hex nuts provided.

READ IMPORTANT SAFETY INFORMATION BELOW

- The trailer frame/tongue must be of sufficient strength to withstand the stresses caused by high speed and spare tire weight
- It is extremely important to have adequate clearance between the spare tire and the car or truck bumper when turning or backing the trailer.
- Clearance between the tire and the road must be sufficient to clear bad roads, curbs, bumps and suspension travel.
- Tire mounting bolts should be tightened to 30-40 foot pounds of torque. Check carrier mounting bolts periodically.
- To prevent runaway tires, the spare tire should always be secured by a safety cable or chain.

Instructions #08115 (C1042 - Rev. 3/4/21)