



best in the  
**LongRun**

# Pontoon Trailer

## Guide On's

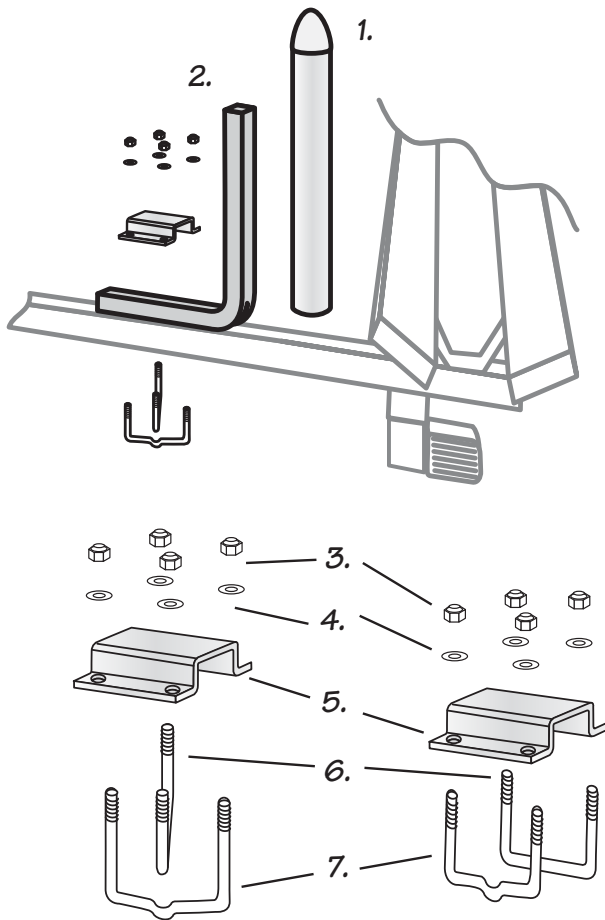
### Installation Instructions

#### Part #86465

- Hot dip galvanized steel tubing
- Fits over 2" wide cross members
- 20" overall height
- Bright orange end caps for easy loading
- All mounting hardware included

This kit contains the following components:

#	Qty.	Part #	Description
1	2	43777-2A	20" PVC Post with End Cap
2	2	43777-1	Guide Tube 20"x 17" 90°
3	8	10627	Nylock Nut 3/8"
4	8	10841	Washer 3/8"
5	2	43757	Bracket Channel
6	2	83106	U-bolt 3/8"x 5"
7	2	83107	U-bolt 3/8"x 5" with cross relief



**Mounting for  
2"W x 2"H  
Cross member**

**Mounting for  
2"W x 3"H  
Frame**

### Installation Instructions

1. Using the bracket channel (5) and guide tube (2) as a guide, check position on cross beam or frame for guide placement, the bracket channel (5) can be placed in the up or down position.
2. Place one straight u-bolt (6) and one cross over u-bolt (7) over or under the frame. Position bracket channel (5) over/under the u-bolts. Loosely attach washers (4) and nylock nuts (3).
3. Inset a guide post (2) into the bracket channel (5) place both for final position.
4. Make sure the guide tube is properly seated within the bracket channel, the cross relief u-bolt is placed over the straight u-bolt and the guide tube mounts at a 90 degree angle to the frame.
5. Finish tightening the u-bolts.
6. Place PVC post (1) over the guide tube (2).  
Note: The end cap on the PVC tube has a hole to allow air to come out. Do not block or cover this hole.

