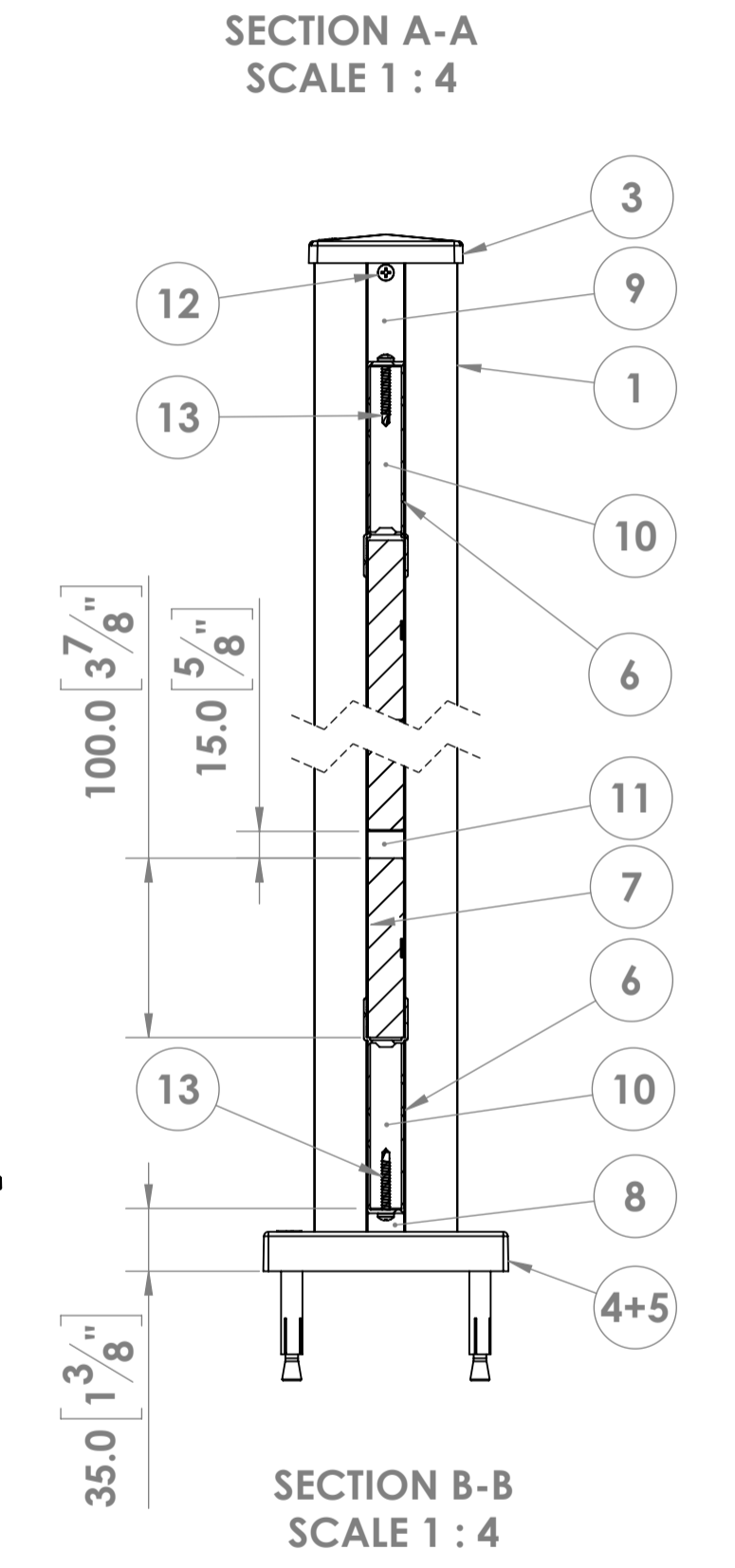
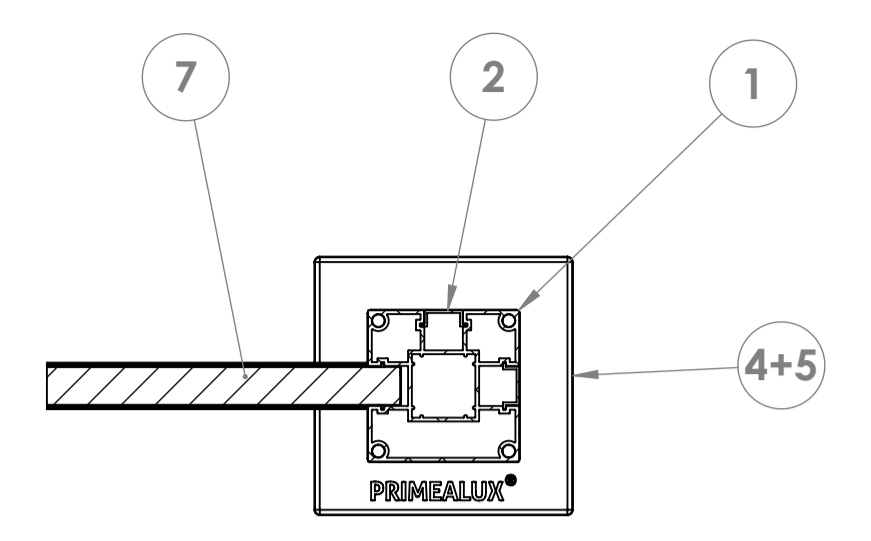
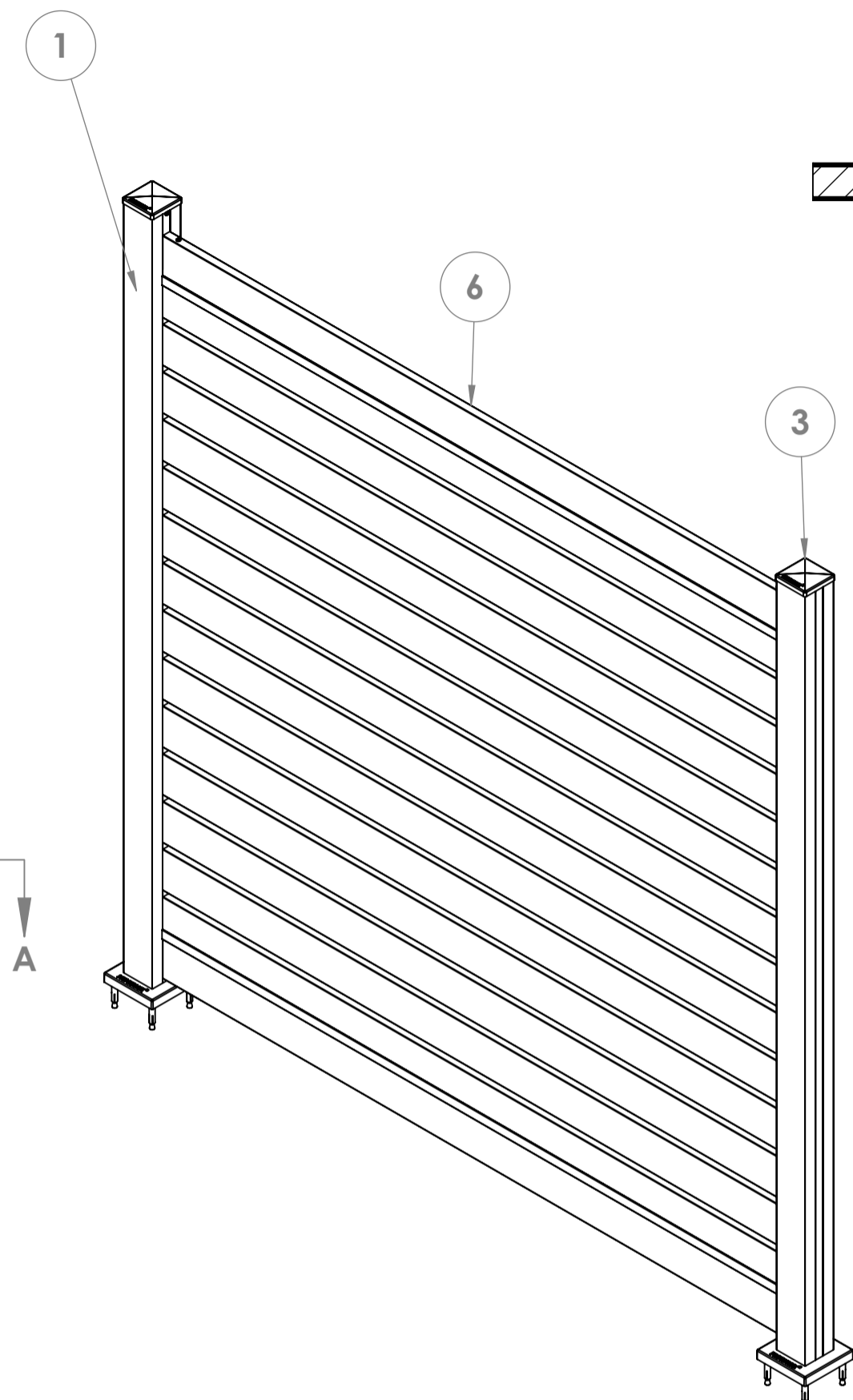
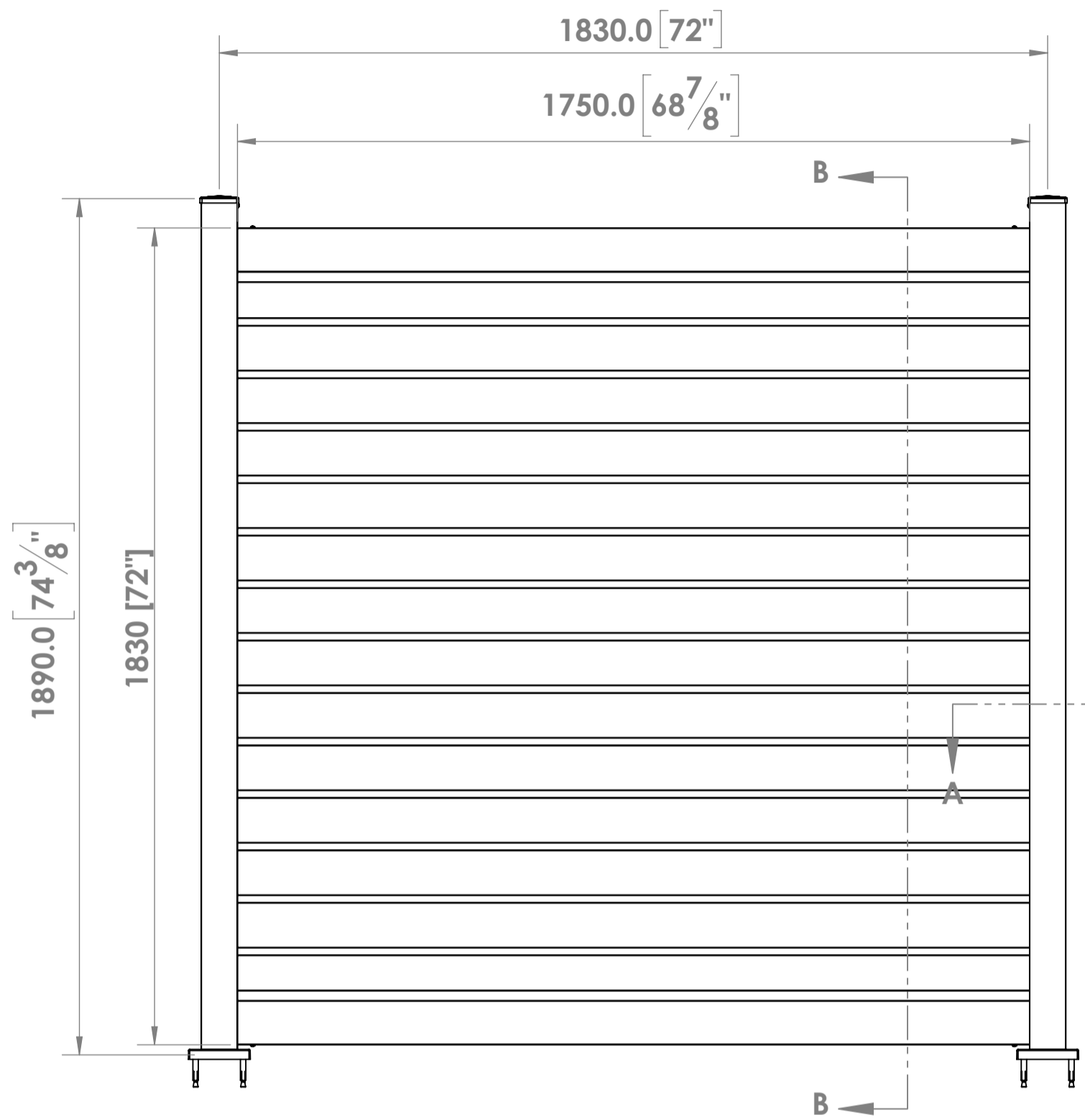


| ITEM NO. | DESCRIPTION | CODE | SIZE (mm-inches) | QTY | FIGURE |
|----------|----------------------------------|--------|------------------|-----|--------|
| 1 | POST | P8006 | 1890 74 3/8" | 1 | |
| 2 | 6' POST COVER | PC06 | 1890 74 3/8" | 1 | |
| 3 | POST CAP | CP80 | — | 1 | |
| 4 | BASE PLATE ASM | BPK80 | — | 1 | |
| 5 | BASE PLATE CAP | BP80 | — | 1 | |
| 6 | RAIL (TOP/BOTTOM) | FR06 | 1750 68 7/8" | 2 | |
| 7 | ALU SLAT 6' HORIZONTAL | S10070 | 1785 70 1/4" | 14 | |
| 8 | BOTTOM SPACER | SP25 | 25 1" | 2 | |
| 9 | TOP SPACER TO BE DRILLED ON SITE | SP70 | 70 2 3/4" | 2 | |
| 10 | RAIL BRACKET 4" | RB4 | 90 3 35/64" | 4 | |
| 11 | SPACER | SP15 | 15 5/8" | 26 | |
| 12 | PAN HEAD SCRRW | FS4232 | m4.2x322 mm | 2 | |
| 13 | PAN HEAD SCRRW | FS4219 | m4.2x19 mm | 8 | |



W 6' x H 6' SEMI PRIVACY HORIZONTAL FENCE

email: customerservice@shapesunlimited.net
 website: www.shapesunlimitedinc.com

NOTES :

- DIMENSIONS IN BRACKETS [] ARE IN INCHES.
- TOLERANCES: LINEAR: +1 mm or [1/16"], ANGULAR: +1 Deg.
- CONSULT LOCAL CONDITIONS, CODES FOR FOUNDATION.
- INSTALLATION TO BE COMPLETED PER MANUFACTURER'S SPECIFICATION.
- THIS DRAWING IS PROVIDED FOR PLANNING PURPOSES ONLY.
- SIZES ARE APPROXIMATED AND COULD VARY DEPENDING ON THE SYSTEM OF CHOICE, PLEASE REFER TO THE INSTALLATION MANUAL FOR MORE DETAILED DIMENSIONS.
- OVERALL WIDTH IS MEASURED FROM POST CENTER TO POST CENTER.